

SOLAR PANEL INFORMATION (if applicable)		
MANUFACTURER:		MODEL:
NUMBER OF PANELS:	NOMINAL OUTPUT CAPACITY:	TOTAL NOMINAL OUTPUT CAPACITY:
X	kW=	kW _{DC}
DOES THE GENERATION SYSTEM INCLUDE BATTERY STORAGE? <input type="checkbox"/> YES <input type="checkbox"/> NO		
IF 'YES':		
kWh=		kW=

SINGLE LINE DIAGRAM

A Single Line Diagram (SLD) of the system must be provided along with this application. Below is a generic example. Please ensure the submitted SLD matches the values given on the first page of the application.

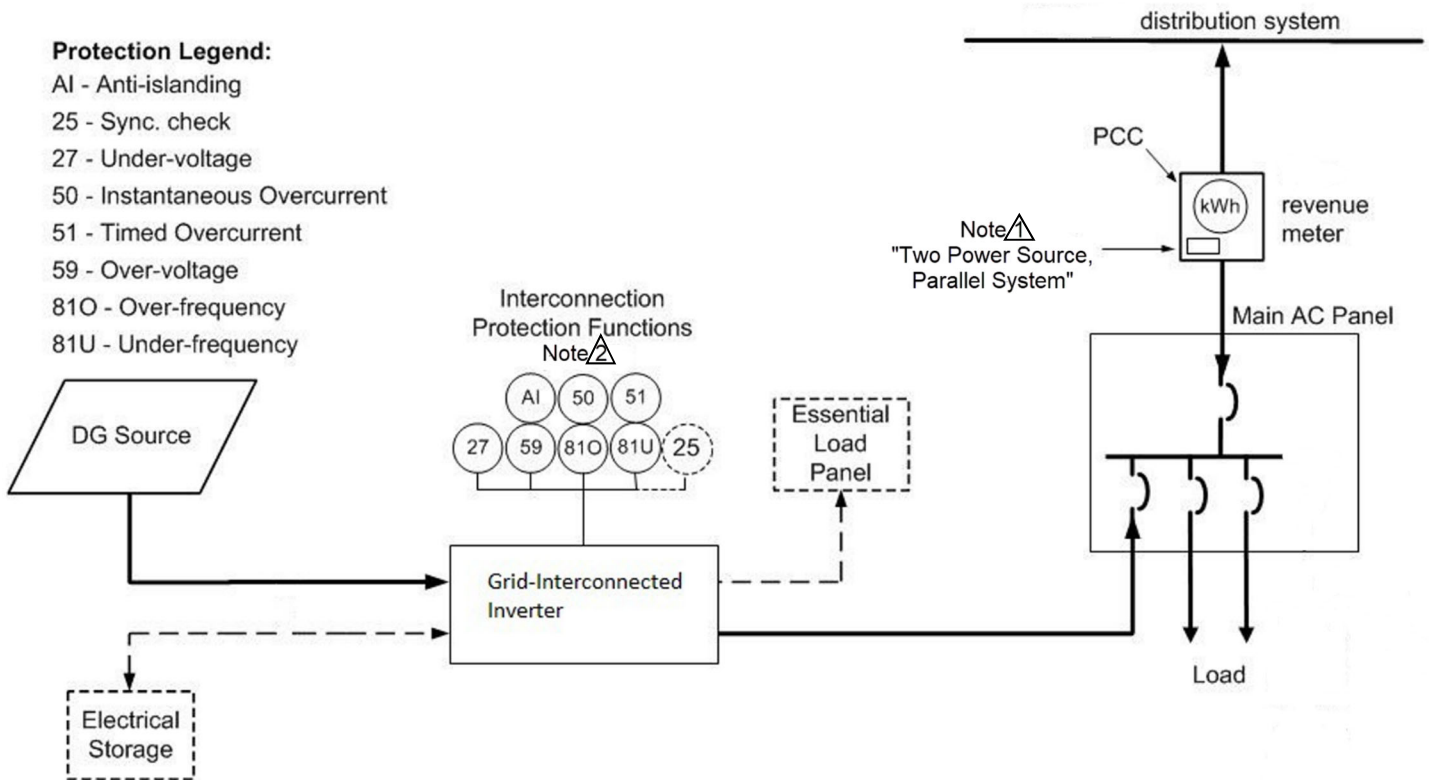


Figure 1 – Single Line Diagram of Typical Inverter Based Generator (Source: Adapted from CAN/CSA-C22.3 No. 257-06 B-1)

NOTES:

1 This is a warning notice required by Clause 84-030 of the CEC Part I. Summerland requires that the notice should be a permanent label suitable for outdoor conditions, with black letters on a white background, 7.5 cm x 2.5 cm and mounted to the revenue meter base or within 0.3m of the revenue meter.

2 Protection functions shown shall be internal to the inverter.

**OPTIONAL: AGENT AUTHORIZATION
IF YOU WISH TO DELEGATE AUTHORITY TO A THIRD PARTY, COMPLETE THE SECTION BELOW**

The undersigned utility account holder (name & account number):

Of the account for the property at the civic address:

Hereby authorizes:

To, on my behalf:

1. Submit to the District documentation related to this Distributed Generation Program Interconnection Application.
2. Discuss matters related to this Distributed Generation Program Interconnection Application with the District.
3. Receive correspondence from the District related to this Distributed Generation Program Interconnection Application.

Signature of utility account holder

Date of Authorization

Name of utility account holder (please print)

Contact Information Phone & Email

Acknowledgement:

By applying to the District of Summerland's Distributed Generation Program you acknowledge that:

- i) you have read and understand the Summerland *Distributed Generation Systems: Technical Interconnection Requirements* and agree to comply with these requirements, and design, install, operate & maintain your distributed generation system in accordance with them
- ii) rates for produced energy are subject to change from time to time and that these changes may affect the economics of your distributed generation system
- iii) approval of your application and installation of the bi-directional meter may take up to 6 months depending on the current volume of applications being processed by the District

APPLICANT SIGNATURE:

DATE:

**Thank you for completing your distributed generation program application.
Please drop off your application to the Development Services department at Municipal Hall
or email it to netmetering@summerland.ca**

What Happens Next:

1. We review your application and, once we confirm the documentation is in order, we will confirm acceptance
2. We provide you an estimate for installation of a bi-directional meter
3. Your contractor proceeds with the installation of your distributed generation system (*must leave disconnected*)
4. You provide us with a copy of: i) your electrical contractor's TechnicalSafetyBC Declaration **and** ii) the District of Summerland Declaration of Compliance
5. We confirm the fee for the bi-directional meter is paid, review the installation, and install the bi-directional meter
6. We email you our approval to connect your generation system to the grid (*do not connect until approval confirmed*)
7. We arrange to have your Summerland utility account set up to reflect excess energy produced by your system

**All sections of this application must be completed before the District can approve
the installation of a distributed generation system.
Failure to fully complete the application will result in delays.**